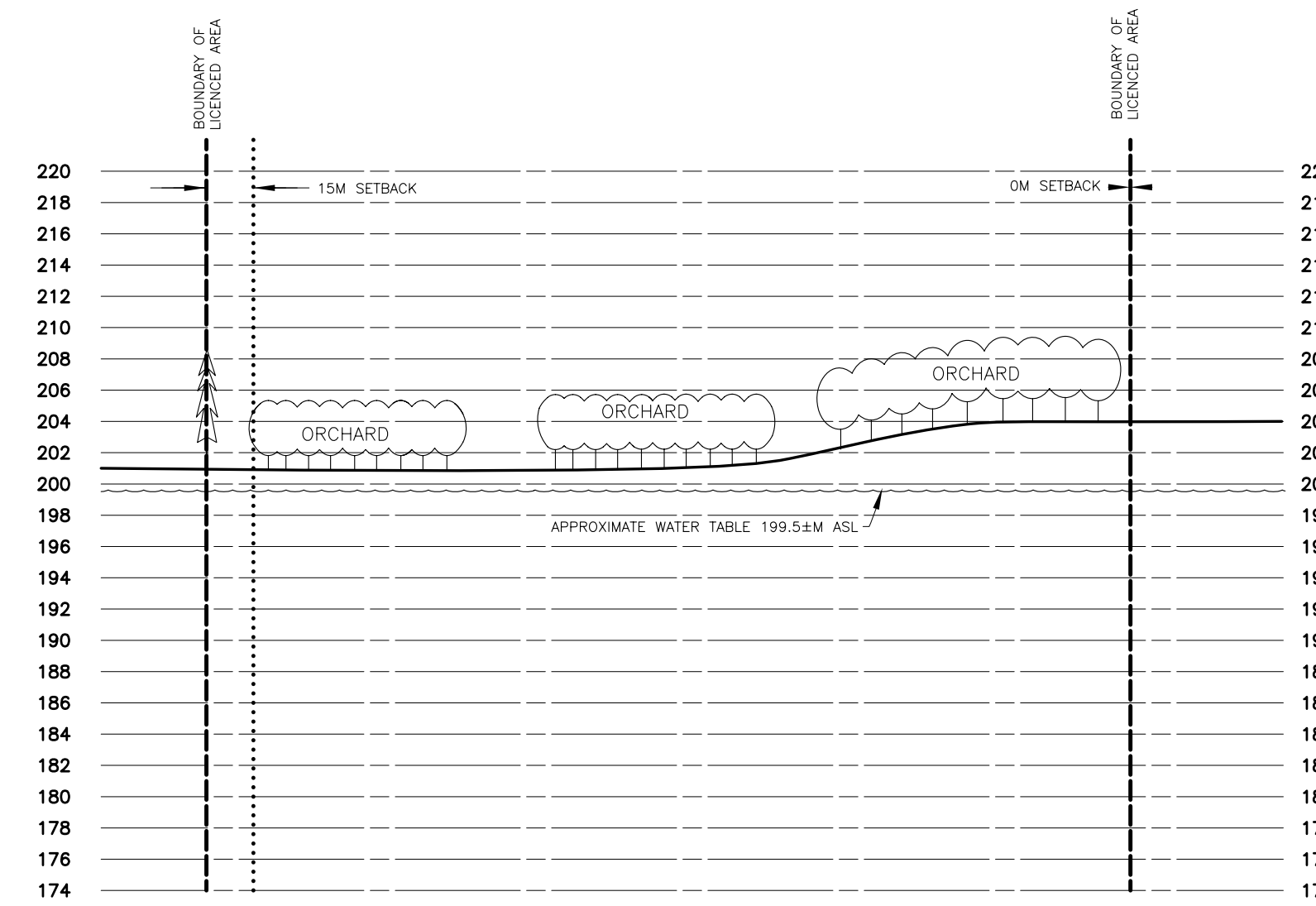


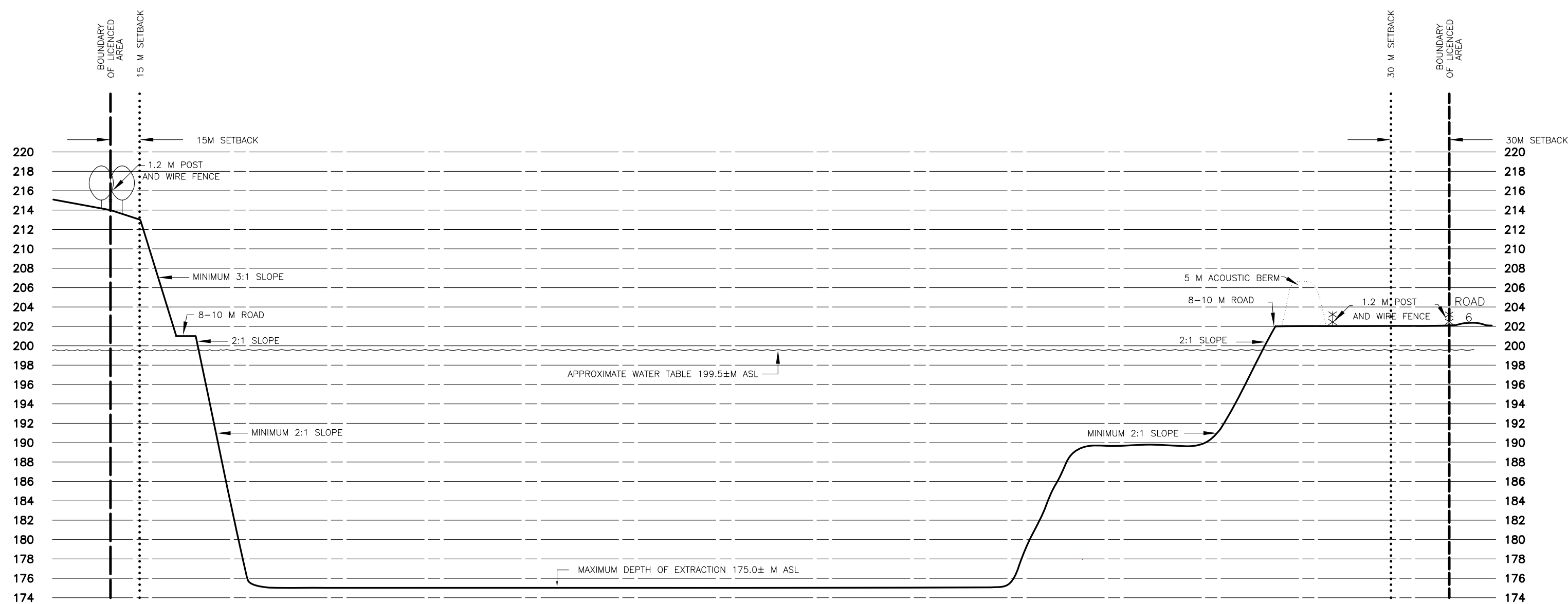
**EXISTING CROSS SECTION A - A1**

SCALE - HORIZONTAL 1:2000  
VERTICAL 1:400



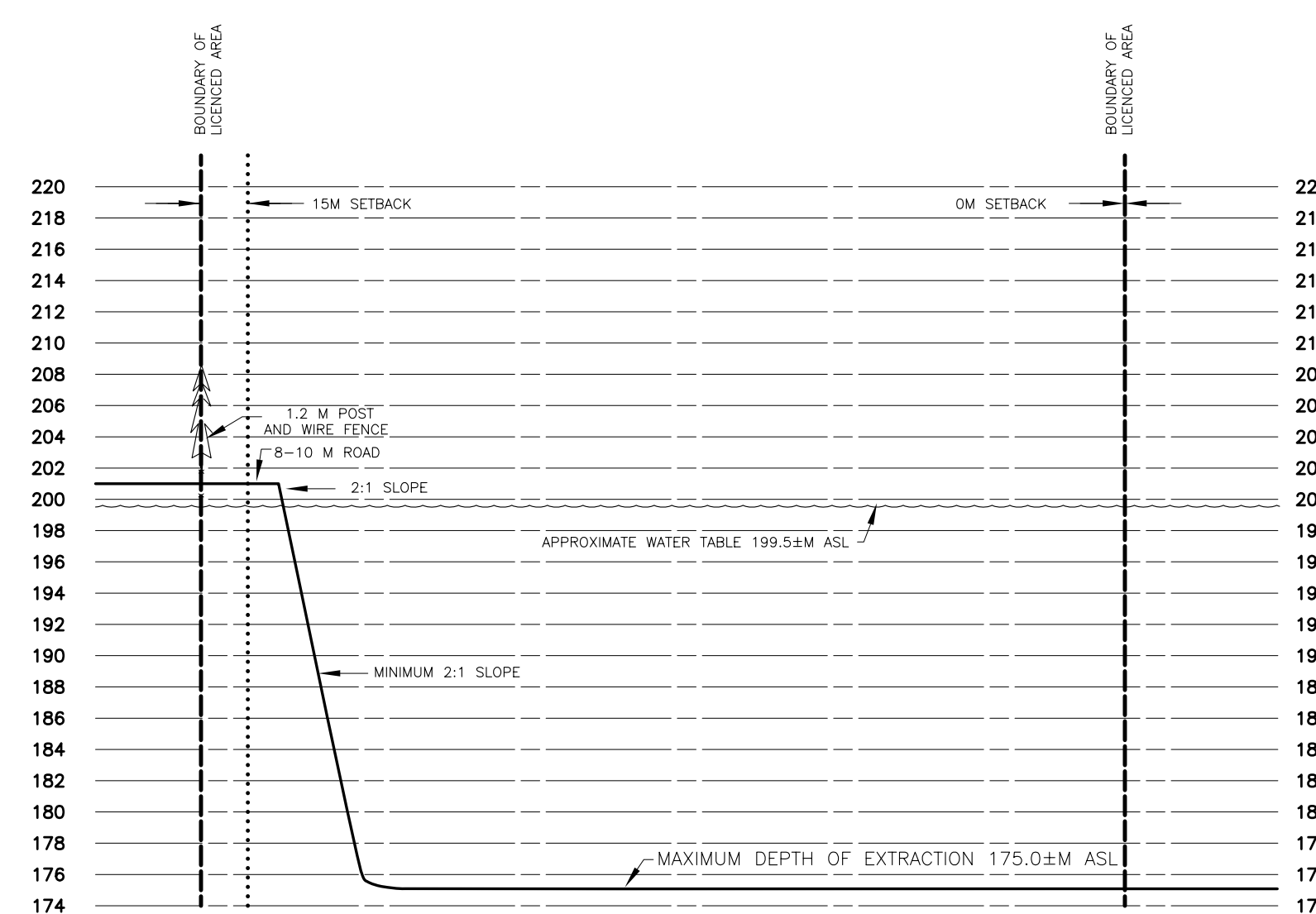
**EXISTING CROSS SECTION B - B1**

SCALE - HORIZONTAL 1:2000  
VERTICAL 1:400



**REHABILITATED CROSS SECTION A - A1**

SCALE - HORIZONTAL 1:2000  
VERTICAL 1:400

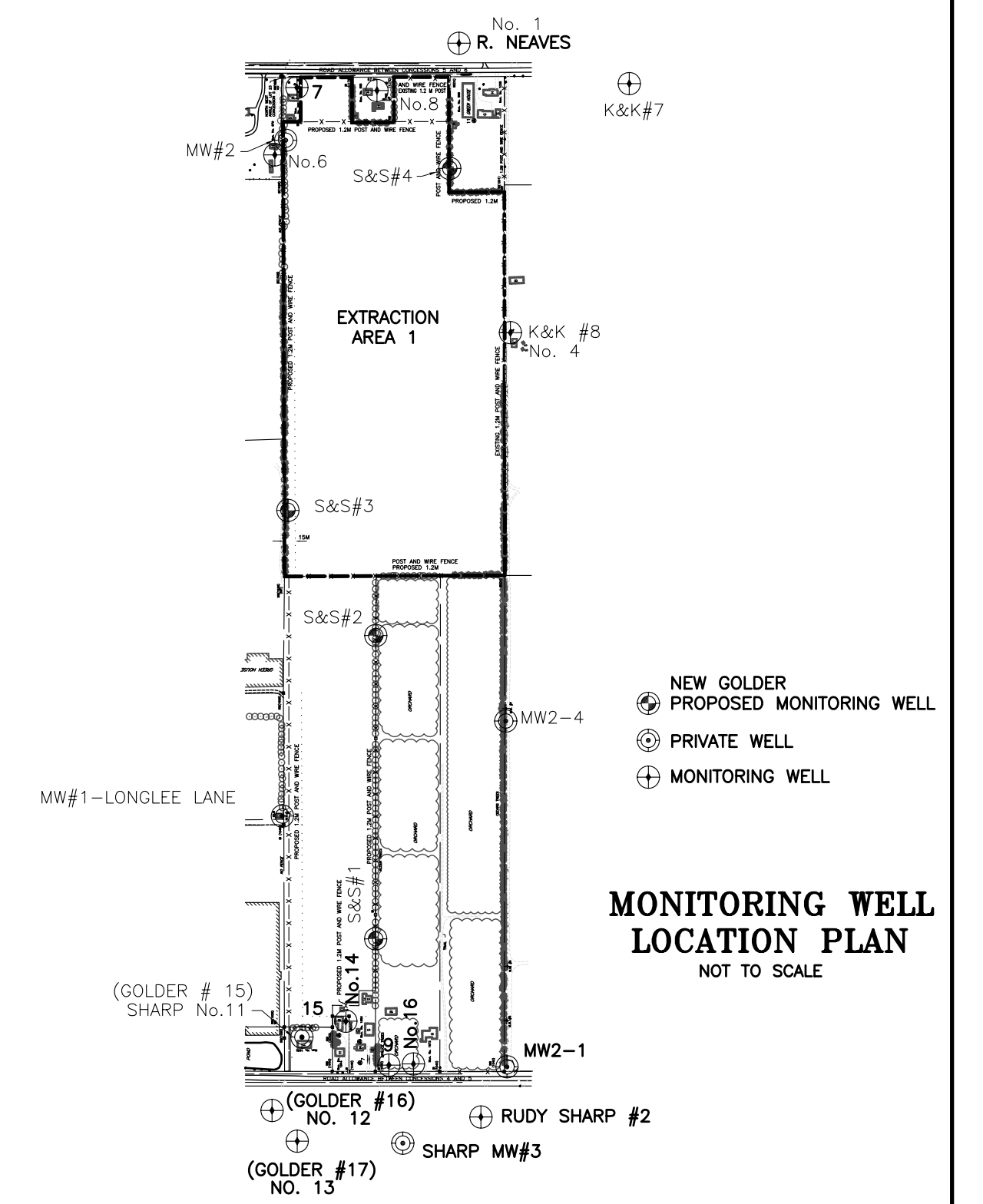
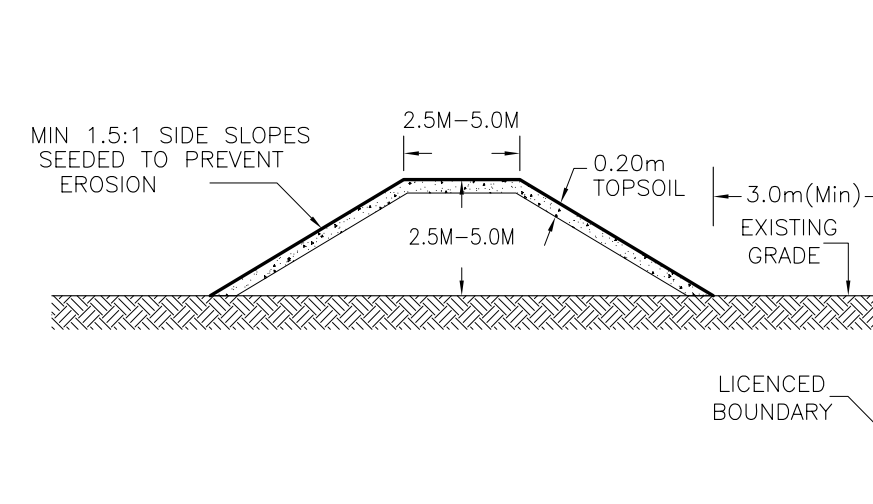


**REHABILITATED CROSS SECTION B - B1**

SCALE - HORIZONTAL 1:2000  
VERTICAL 1:400

**TYPICAL BERM SECTION**

NOT TO SCALE



**LEGEND**

CONIFEROUS TREE    DECIDUOUS TREE    1.2m FENCE

EXTRACTION SETBACK    BOUNDARY OF LICENCED AREA    5 M ACOUSTIC BERM FOR OPERATIONS MAYBE REMOVED AS PART OF FINAL REHABILITATION

SCALE 1:2000 (METRIC)

0 50 100 150 200 METRES

"METRIC" DISTANCES SHOWN ON THIS PLAN ARE IN METRES AND CAN BE CONVERTED TO FEET BY DIVIDING BY 0.3048

**LICENCEE:**

**LOCATION**

SITE PLAN AMENDMENTS		
NO.	DATE	REVISION

CAD DATE: 8/DEC/2009 3:54PM    CAD FILE: N:\ES&G\SAVERS\PI\33925-13\33925-13P04.DWG

<b>CROSS-SECTIONS</b>	<b>DRAWING NUMBER</b> 4 OF 4
-----------------------	---------------------------------

**CLARKE SURVEYORS INCORPORATED**  
www.clarkesurveyors.com  
Established 1970

Ontario Land Surveyors  
Consulting Surveyors  
2535 Lesperance Road  
Tecumseh, Ontario  
N9N 2X1  
Ph. (519) 258-4166  
Fax (519) 735-2155  
Toll Free 1-888-735-4166

ASSOCIATE COMPANY  
**MACKAY MACKAY & PETERS LIMITED**  
ESTABLISHED 1908  
BURLINGTON AND HAMILTON ONTARIO

DRAWN BY: KB/SJP  
CHECKED BY: RAC/KRB  
JOB NO: 33925-13  
FILE: L-GOS.S-5-23  
PLAN FILE: ES&G